

DISCHARGE MUFFLERS

| STOCK NO. | CONN SIZE | DIMENSIONS L x Dia (mm) | PRICE \$ excl. GST | STOCK NO. | CONN SIZE | DIMENSIONS L x Dia (mm) | PRICE \$ excl. GST |
|-----------|-----------|-------------------------|--------------------|-----------|-----------|-------------------------|--------------------|
| F0512 | 3/8" | 185 x 50 | 58.00 | F0520 | 1-1/8" | 245 x 75 | 118.00 |
| F0513 | 1/2" | 185 x 50 | 60.00 | F0521 | 1-3/8" | 345 x 100 | 121.00 |
| F0515 | 5/8" | 185 x 50 | 62.00 | F0522 | 1-5/8" | 460 x 100 | 126.00 |
| F0518 | 7/8" | 235 x 75 | 66.00 | | | | |



Discharge Mufflers are designed to eliminate pulsation noise in discharge lines between the compressor and the condenser. Mufflers have internal baffles designed for minimum pressure drop. These baffles change the velocity of the discharge gases passing through the muffler, resulting in a dampening effect on high frequency sound waves on high speed compressors and also smoothing out the pulsating discharge sound waves in low speed compressors.

SUCTION ACCUMULATORS - Top Entry

| STOCK NO. | CONN SIZE | DIMENSIONS Dia x H (mm) | Price excl. GST | STOCK NO. | CONN SIZE | DIMENSIONS Dia x H (mm) | Price excl. GST |
|-----------|-----------|-------------------------|-----------------|-----------|-----------|-------------------------|-----------------|
| F0104 | 1/2" | 100 x 250 | 121.00 | F0108 | 1-1/8" | 150 x 390 | 231.00 |
| F0105 | 5/8" | 100 x 310 | 137.00 | F0109 | 1-3/8" | 150 x 470 | 279.00 |
| F0106 | 3/4" | 125 x 310 | 153.00 | F0110 | 1-5/8" | 150 x 550 | 363.00 |
| F0107 | 7/8" | 125 x 350 | 198.00 | F0111 | 2-1/8" | 215 x 750 | 819.00 |



SUCTION ACCUMULATORS - Top Entry (With Liquid Line Heat Exchanger)

| STOCK NO. | CONNECTION SIZE | | DIMENSIONS | | Price excl. GST |
|-----------|-----------------|-------------|---------------|-------------|-----------------|
| | SUCTION LINE | LIQUID LINE | DIAMETER (mm) | HEIGHT (mm) | |
| F0129 | 1-1/8" | 5/8" | 160 | 440 | 678.00 |
| F0130 | 1-3/8" | 5/8" | 170 | 560 | 720.00 |
| F0131 | 1-5/8" | 3/4" | 170 | 620 | 788.00 |
| F0132 | 2 1/8" | 7/8" | 215 | 810 | 1,140.00 |

SUCTION ACCUMULATORS - Side Entry (With Liquid Line Heat Exchanger)

| STOCK NO. | CONNECTION SIZE | | DIMENSIONS | | Price excl. GST |
|-----------|-----------------|-------------|---------------|-------------|-----------------|
| | SUCTION LINE | LIQUID LINE | DIAMETER (mm) | HEIGHT (mm) | |
| F0170 | 1-3/8" | 5/8" | 170 | 490 | 662.00 |
| F0171 | 1-5/8" | 5/8" | 170 | 490 | 767.00 |
| F0172 | 2-1/8" | 7/8" | 220 | 480 | 1,103.00 |
| F0173 | 2-5/8" | 1-3/8" | 275 | 710 | 1,869.00 |



Heat Exchange (HE) Accumulators have the liquid line passing through them offering heat exchange between the liquid and suction lines. This creates positive temperature change on the suction line, boiling off liquid in the accumulator, protecting the compressor and reducing frost build up. Sub-cooling liquid ensures solid liquid is supplied to the TX valves, stabilising superheat and increasing evaporator capacity.

NORTHPEAK OIL SEPARATORS (Internal Float)

| STOCK NO. | CONN SIZE | CHARGE LTRS | R404A kw | | R134A kw | | DIMENSIONS H x Dia (mm) | PRICE \$ excl. GST |
|-----------|-----------|-------------|----------|------|----------|------|-------------------------|--------------------|
| | | | -25°C | -5°C | -5°C | +5°C | | |
| F0068 | 3/8" | 0.4 | 4.0 | 5.0 | 4.5 | 5.0 | 210 x 100 | 205.00 |
| F0070 | 1/2" | 0.5 | 5.5 | 6.5 | 6.0 | 6.5 | 260 x 100 | 229.00 |
| F0072 | 5/8" | 0.5 | 15.5 | 17.5 | 16.5 | 17.5 | 360 x 100 | 252.00 |
| F0074 | 7/8" | 0.5 | 25 | 31 | 23 | 25 | 450 x 150 | 289.00 |
| F0076 | 1-1/8" | 0.6 | 31 | 38 | 28 | 31 | 530 x 150 | 310.00 |
| F0078 | 1 3/8" | 0.6 | 43 | 48 | 43 | 45 | 540 x 150 | 347.00 |



REFRICOMP OIL SEPARATORS (Helical / Internal Float)

| STOCK NO. | CONN SIZE | CHARGE LTRS | R404A kw | | R134A kw | | DIMENSIONS H x Dia (mm) | PRICE \$ excl. GST |
|-----------|-----------|-------------|----------|------|----------|------|-------------------------|--------------------|
| | | | -25°C | -5°C | -5°C | +5°C | | |
| F0142 | 1-1/8" | 0.5 | 42 | 48 | 32 | 35 | 400 x 140 | 473.00 |
| F0144 | 1-3/8" | 0.5 | 53 | 60 | 42 | 46 | 400 x 140 | 483.00 |
| F0146 | 1-5/8" | 0.5 | 78 | 98 | 68 | 75 | 400 x 200 | 693.00 |



REFRICOMP OIL SEPARATORS/RESERVOIR (Helical / External Float)

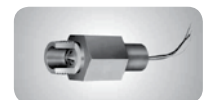
| STOCK NO. | CONN SIZE | CHARGE LTRS | R404A kw | | R134A kw | | DIMENSIONS H x Dia (mm) | PRICE \$ excl. GST |
|-----------|-----------|-------------|----------|------|----------|------|-------------------------|--------------------|
| | | | -25°C | -5°C | -5°C | +5°C | | |
| F0150 | 1-1/8" | 4 | 44 | 55 | 38 | 42 | 550 x 140 | 819.00 |
| F0152 | 1-3/8" | 11 | 78 | 98 | 68 | 75 | 650 x 220 | 1,071.00 |
| F0154 | 1-5/8" | 11 | 84 | 105 | 72 | 80 | 650 x 220 | 1,134.00 |
| F0156 | 2-1/8" | 17 | 104 | 130 | 90 | 100 | 850 x 220 | 1,323.00 |
| F0158 | 2-5/8" | 25 | 216 | 270 | 190 | 210 | 850 x 275 | 1,764.00 |



- Helical (Centrifugal) type oil separators offer high efficiency oil removal of up to 99%.
- External float models include 2 x oil level sight glass & oil return shut off valve.
- Specified oil charge is oil charge required to fill reservoir to top sight glass.
*50% of this value is usually adequate for most close coupled systems.

OIL CONTROL ACCESSORIES

| STOCK NO. | PRODUCT NUMBER | DESCRIPTION | PRICE \$ excl. GST |
|-----------|----------------|---|--------------------|
| H0100 | 308083 | Compact Oil Strainer 083 3/8" Flare - 147mm Long x 64mm dia | 133.00 |
| SP2600 | OF-303 | Sporlan OF-303 Oil Filter 3/8" Flare | 336.00 |
| SP2601 | OF-303-BP | Sporlan OF-303-BP Oil Filter W/Bypass 3/8" Flare | 373.00 |
| SP2605 | ROF-413 | Sporlan Demountable Oil Shell ROF-413 | 683.00 |
| SP2608 | OFE-1 | Sporlan Oil Element C/W Gasket OFE-1 | 208.00 |
| SP2650 | S-OL | Sporlan S-OL Oil Sight Glass | 47.00 |
| F1012 | S-9420A | Henry N/O Liquid/Oil Level Switch 1/2" MPT | 396.00 |
| F1012B | S-9420 | Henry N/C Liquid/Oil Level Switch 1/2" MPT | 396.00 |



Liquid Level Switch

- Please contact Realcold for more information on the above oil control accessories.

TRAXOIL OIL LEVEL CONTROLS

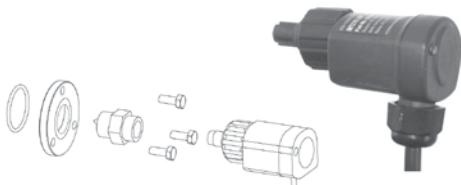


TraxOil - Oil Management Systems replace the oil level sight glass on the compressor and offers accurate detection and control of the oil level. The TR3 series monitors, opens integrated solenoid valve to allow filling and signals an alarm if the oil level falls too low. Three LED indicators show the status of the oil management system. Green LED indicates oil level is optimised, The yellow LED indicates the solenoid is open and refilling is in progress and the red LED signals that the oil level is below minimum in which case the alarm relay is also activated.

| STOCK NO. | PRODUCT NUMBER | DESCRIPTION | PRICE \$ excl. GST |
|-----------|----------------|--|--------------------|
| F0994 | TR3201 | UNIVERSAL OIL LEVEL SYSTEM WITH FLANGE ADAPTOR 3-4 HOLE Suits most semi-hermetic compressors and brands including: Frascold, Copeland, Bitzer, Bock, Dorin | 586.00 |
| F0996 | TR3203 | OIL LEVEL SYSTEM WITH SCREW ADAPTOR 1-1/8" - 18 UNEF Suits some semi-hermetic compressors and also some hermetic including Maneurop and Tecumseh | 586.00 |
| F0999 | TR3212 | OIL LEVEL SYSTEM WITH SCREW ADAPTOR 1-3/4" - 12 UNF (Rotolock) Suits Copeland ZB, ZR, ZP, ZF | 586.00 |
| F0992 | OW3001 | OIL LEVEL MONITORING SYSTEM FOR ALARM & SYSTEM SHUTDOWN Suits most semi-hermetic compressors and brands including: Frascold, Copeland, Bitzer, Bock, Dorin | 342.00 |
| F0990 | TFR001 | 240 - 24V, 30VA transformer to suit Traxoil controls (1 x Traxoil each) | 87.00 |

■ Please contact Realcold if you require assistance with selecting the correct TraxOil for your compressor & application.

FRASCOLD OIL LEVEL MONITOR



OPERATION

T00WK252 is installed in place of the compressor sight glass and is secured with screws and supplied adaptor. Every time the compressor starts, after a 90sec time delay, the oil level is monitored and checked via its infered receiver. In case the sensor detects a low oil level, the relay will switch off then lock and a red LED will indicate the occurrence of a low oil level fault. When the compressor stops, the oil level detection functionally stops too until the compressor is restarted.

| STOCK NO. | PRODUCT NUMBER | DESCRIPTION | PRICE \$ excl. GST |
|-----------|----------------|--|--------------------|
| R0723 | T00WK252 | Frascold 240V Opto-Electronic Oil Level Safety Monitor | 325.00 |

FRASCOLD OIL LEVEL CONTROL



FEATURES EC1900

- No need for adapters or flanges on Frascold compressors
- Maximum flexibility due to the regulators 180° reversibility
- 220 to 240V means no transformer required
- Integrated sight glass and solenoid valve
- No moving float with optical infered receiver
- No measuring errors caused by oil viscosity
- IP54 protection

| STOCK NO. | PRODUCT NUMBER | DESCRIPTION | PRICE \$ excl. GST |
|-----------|----------------|--|--------------------|
| R0720 | EC1900 | Frascold EC1900, 240V Oil Oil Level System | 620.00 |

■ Please contact Realcold for further information on the above Frascold oil level controls and safetys.

NORTHPEAK VERTICAL LIQUID RECEIVERS

| STOCK NO. | PRODUCT NUMBER | CAPACITY kg @ 80% R404A | CONNECTIONS | | DIMENSIONS (mm) | | PRICE \$ excl. GST |
|-----------|----------------|----------------------------|-------------|--------|-----------------|----------|--------------------|
| | | | INLET | OUTLET | HEIGHT | DIAMETER | |
| C5701 | AR - 101 | 1.0 | 1/4" | 1/4" | 180 | 90 | 100.00 |
| C5702 | AR - 102 | 2.0 | 3/8" | 3/8" | 210 | 120 | 132.00 |
| C5703 | AR - 103 | 3.0 | 3/8" | 3/8" | 340 | 120 | 158.00 |
| C5704 | AR - 104 | 4.0 | 1/2" | 1/2" | 270 | 150 | 200.00 |
| C5705 | AR - 105 | 5.0 | 1/2" | 1/2" | 230 | 180 | 242.00 |



■ Northpeak vertical liquid receivers have solder inlet and come complete with outlet rotolock valve.

SKY VERTICAL LIQUID RECEIVERS

| STOCK NO. | PRODUCT NUMBER | CAPACITY kg @ 80% R404A | CONNECTIONS | | DIMENSIONS (mm) | | PRICE \$ excl. GST |
|-----------|----------------|----------------------------|-------------|--------|-----------------|----------|--------------------|
| | | | INLET | OUTLET | HEIGHT | DIAMETER | |
| HD7015 | ACR30982 | 6.5 | 1" RL | 1/2" | 390 | 180 | 336.00 |
| HD7020 | ACR309109 | 8.5 | 1" RL | 1/2" | 500 | 180 | 357.00 |
| HD7025 | ACR309145 | 11.5 | 1" RL | 1/2" | 430 | 220 | 441.00 |



■ Sky vertical liquid receivers include relief valve port. Roto-lock valve to be ordered separately (H1014) 1"RL x 1/2"ID

HORIZONTAL LIQUID RECEIVERS

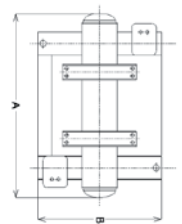
| STOCK NO. | PRODUCT NUMBER | CAPACITY kg @ 80% R404A | CONNECTIONS | | DIMENSIONS (mm) | | PRICE \$ excl. GST |
|-----------|----------------|----------------------------|-------------|--------|-----------------|----------|--------------------|
| | | | INLET | OUTLET | LENGTH | DIAMETER | |
| C5715 | AR - 115 | 15 | 5/8" | 7/8" | 1100 | 150 | 473.00 |
| C5727 | AR - 127 | 27 | 5/8" | 7/8" | 1300 | 180 | 546.00 |
| C5742 | AR - 142 | 42 | 1-1/8" | 7/8" | 2000 | 180 | 819.00 |



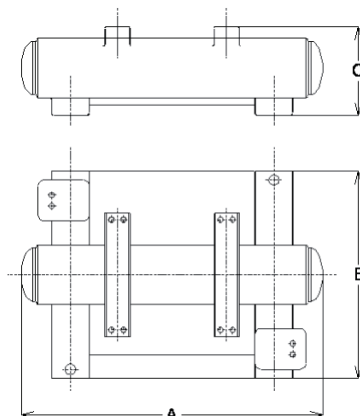
■ Above Horizontal liquid receivers come complete with rotolock valves and relief valve port.

HORIZONTAL LIQUID RECEIVERS (With Compressor Mounts)

| STOCK NO. | PRODUCT NUMBER | CAPACITY kg @ 80% R404A | CONNECTIONS | | DIMENSIONS (mm) | | | PRICE \$ excl. GST |
|-----------|----------------|----------------------------|-------------|--------|-----------------|-----|-----|--------------------|
| | | | INLET | OUTLET | A | B | C | |
| C5730 | RES 075-4 | 19 | 7/8" | 7/8" | 1000 | 770 | 260 | 1,134.00 |
| C5732 | RES 5-15 | 29 | 7/8" | 7/8" | 1000 | 820 | 300 | 1,449.00 |
| C5734 | RES 15-30 | 35 | 1-1/8" | 7/8" | 1300 | 870 | 300 | 1,764.00 |
| C5736 | RES 30-50 | 48 | 1-1/8" | 7/8" | 1000 | 900 | 360 | 2,205.00 |



■ Above Horizontal liquid receivers come complete with rotolock valves and relief valve port.



SPORLAN LIQUID LINE DRIERS



Catch-All® Filter-Driers are universally accepted. This is due to their unique moulded porous core, consisting of a blend of highly effective desiccants. The Catch-All Filter-Drier will filter out scale, solder particles, carbon, sludge, dirt or any other foreign matter with negligible pressure drop. Fine particles that would go through an ordinary strainer are removed in one pass. The large filtering area of the core permits it to collect a large amount of dirt and other contaminants without blocking up.

LIQUID LINE DRIERS - FLARE

| STOCK NO. | PRODUCT NUMBER | CONN SIZE FLARE | kW SELECTION RECOMMENDATION | | | LENGTH (mm) | DESICCANT VOLUME (cm ³) | PRICE \$ excl. GST |
|-----------|----------------|-----------------|-----------------------------|------|-------|-------------|-------------------------------------|--------------------|
| | | | R404A | R22 | R134a | | | |
| SP3001 | C032 | 1/4" | 0.9 | 0.9 | 0.9 | 106 | 49 | 29.00 |
| SP3003 | C033 | 3/8" | 0.9 | 0.9 | 0.9 | 106 | 49 | 31.00 |
| SP3005 | C052 | 1/4" | 1.2 | 1.2 | 1.2 | 121 | 82 | 38.00 |
| SP3008 | C053 | 3/8" | 1.2 | 1.2 | 1.2 | 132 | 82 | 38.00 |
| SP3010 | C082 | 1/4" | 1.8 | 1.8 | 1.8 | 143 | 148 | 45.00 |
| SP3013 | C083 | 3/8" | 3.5 | 3.5 | 3.5 | 154 | 148 | 45.00 |
| SP3015 | C084 | 1/2" | 3.5 | 5.3 | 5.3 | 160 | 148 | 46.00 |
| SP3017 | C162 | 1/4" | 2.6 | 5.3 | 3.5 | 159 | 262 | 56.00 |
| SP3020 | C163 | 3/8" | 7.0 | 7.0 | 7.0 | 171 | 262 | 56.00 |
| SP3022 | C164 | 1/2" | 7.0 | 10.6 | 7.0 | 176 | 262 | 61.00 |
| SP3025 | C165 | 5/8" | 7.0 | 10.6 | 7.0 | 184 | 262 | 63.00 |
| SP3027 | C303 | 3/8" | 7.0 | 10.6 | 10.6 | 251 | 492 | 104.00 |
| SP3030 | C304 | 1/2" | 10.6 | 17.6 | 10.6 | 251 | 492 | 104.00 |
| SP3032 | C305 | 5/8" | 17.6 | 17.6 | 17.6 | 259 | 492 | 104.00 |
| SP3033 | C306 | 3/4" | 17.6 | 17.6 | 17.6 | 259 | 492 | 132.00 |
| SP3034 | C414 | 1/2" | 17.6 | 17.6 | 17.6 | 252 | 672 | 154.00 |
| SP3037 | C415 | 5/8" | 26.4 | 26.4 | 26.4 | 260 | 672 | 157.00 |

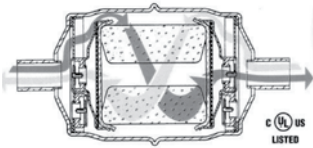


LIQUID LINE DRIERS - SOLDER

| STOCK NO. | PRODUCT NUMBER | CONN SIZE SOLDER | kW SELECTION RECOMMENDATION | | | LENGTH (mm) | DESICCANT VOLUME (cm ³) | PRICE \$ excl. GST |
|-----------|----------------|------------------|-----------------------------|------|-------|-------------|-------------------------------------|--------------------|
| | | | R404A | R22 | R134a | | | |
| SP3101 | C032S | 1/4" | 0.9 | 0.9 | 0.9 | 106 | 49 | 29.00 |
| SP3102 | C033S | 3/8" | 0.9 | 0.9 | 0.9 | 106 | 49 | 31.00 |
| SP3105 | C052S | 1/4" | 1.2 | 1.2 | 1.2 | 121 | 82 | 38.00 |
| SP3108 | C053S | 3/8" | 1.2 | 1.2 | 1.2 | 132 | 82 | 38.00 |
| SP3110 | C082S | 1/4" | 1.8 | 1.8 | 1.8 | 143 | 148 | 45.00 |
| SP3113 | C083S | 3/8" | 3.5 | 3.5 | 3.5 | 154 | 148 | 45.00 |
| SP3115 | C084S | 1/2" | 3.5 | 5.3 | 5.3 | 160 | 148 | 46.00 |
| SP3117 | C162S | 1/4" | 2.6 | 5.3 | 3.5 | 146 | 262 | 56.00 |
| SP3120 | C163S | 3/8" | 7.0 | 7.0 | 7.0 | 171 | 262 | 56.00 |
| SP3122 | C164S | 1/2" | 7.0 | 10.6 | 7.0 | 176 | 262 | 61.00 |
| SP3125 | C165S | 5/8" | 7.0 | 10.6 | 7.0 | 184 | 262 | 63.00 |
| SP3126 | C167S | 7/8" | 7.0 | 10.6 | 7.0 | 176 | 262 | 83.00 |
| SP3127 | C303S | 3/8" | 7.0 | 10.6 | 10.6 | 251 | 492 | 104.00 |
| SP3128 | C307S | 7/8" | 17.6 | 17.6 | 17.6 | 259 | 492 | 115.00 |
| SP3129 | C309S | 1-1/8" | 17.6 | 17.6 | 17.6 | 248 | 492 | 129.00 |
| SP3130 | C304S | 1/2" | 10.6 | 17.6 | 10.6 | 251 | 492 | 104.00 |
| SP3132 | C305S | 5/8" | 17.6 | 17.6 | 14.1 | 259 | 492 | 104.00 |
| SP3134 | C414S | 1/2" | 17.6 | 17.6 | 17.6 | 230 | 672 | 154.00 |
| SP3137 | C415S | 5/8" | 26.4 | 26.4 | 26.4 | 237 | 672 | 157.00 |
| SP3139 | C417S | 7/8" | 26.4 | 26.4 | 26.4 | 249 | 672 | 163.00 |
| SP3141 | C419S | 1-1/8" | 35.2 | 42.2 | 35.2 | 248 | 672 | 168.00 |



SPORLAN BI-DIRECTIONAL DRIERS



- **Sporlan Bi-flow driers** operate in either flow direction with low pressure drop
- Proven metal check valves used in construction – non synthetic materials
- Sporlan dependable moulded core used for maximum filtration. When the flow direction reverses, dirt already collected remains in the filter-drier.
- A carefully engineered blend of desiccants for maximum water capacity and acid removal ability. The HPC-160-HH Series also has the HH style core with activated charcoal which offer maximum ability to remove resin and other reactive chemical constituents in the oil.

BI-DIRECTIONAL DRIERS - FLARE

| STOCK NO. | PRODUCT NUMBER | CONNECTION SIZE | LENGTH (mm) | DIAMETER (mm) | DESICCANT VOLUME (cm ³) | PRICE \$ excl. GST |
|-----------|----------------|-----------------|-------------|---------------|-------------------------------------|--------------------|
| SP0493 | HPC-103 | 3/8" MF | 172 | 76 | 168 | 80.00 |
| SP0495 | HPC-104 | 1/2" MF | 176 | 76 | 168 | 82.00 |
| SP0498 | HPC-163-HH | 3/8" MF | 198 | 76 | 230 | 130.00 |
| SP0500 | HPC-164-HH | 1/2" MF | 202 | 76 | 230 | 130.00 |
| SP0503 | HPC-165-HH | 5/8" MF | 210 | 76 | 230 | 130.00 |



BI-DIRECTIONAL DRIERS - SOLDER

| STOCK NO. | PRODUCT NUMBER | CONNECTION SIZE | LENGTH (mm) | DIAMETER (mm) | DESICCANT VOLUME (cm ³) | PRICE \$ excl. GST |
|-----------|----------------|-----------------|-------------|---------------|-------------------------------------|--------------------|
| SP0505 | HPC-103S | 3/8" ODS | 149 | 76 | 168 | 80.00 |
| SP0508 | HPC-104S | 1/2" ODS | 152 | 76 | 168 | 82.00 |
| SP0510 | HPC-105S | 5/8" ODS | 160 | 76 | 168 | 82.00 |
| SP0513 | HPC-163S-HH | 3/8" ODS | 176 | 76 | 230 | 130.00 |
| SP0515 | HPC-164S-HH | 1/2" ODS | 180 | 76 | 230 | 130.00 |
| SP0518 | HPC-165S-HH | 5/8" ODS | 187 | 76 | 230 | 133.00 |
| SP0530 | HPC-307S-HH | 7/8" ODS | 280 | 76 | 492 | 210.00 |



SUCTION LINE FILTER DRIERS (For Burnout Or Clean Up)

| STOCK NO. | PRODUCT NUMBER | CONNECTION SIZE | LENGTH (mm) | DIAMETER (mm) | DESICCANT VOLUME (cm ³) | PRICE \$ excl. GST |
|-----------|----------------|-----------------|-------------|---------------|-------------------------------------|--------------------|
| SP0470 | C084STHH | 1/2" ODS | 138 | 66 | 148 | 74.00 |
| SP0483 | C164STHH | 1/2" ODS | 152 | 76 | 262 | 105.00 |
| SP0484 | C165STHH | 5/8" ODS | 176 | 76 | 262 | 105.00 |
| SP0485 | C305THH | 5/8" ODS | 245 | 76 | 492 | 163.00 |
| SP0488 | C307STHH | 7/8" ODS | 249 | 76 | 492 | 171.00 |
| SP0489 | C419STHH | 1-1/8" ODS | 248 | 88 | 671 | 234.00 |
| SP0491 | C4311STHH | 1-3/8" ODS | 278 | 121 | 787 | 345.00 |



SUCTION LINE FILTER DRIERS (Compact - Pancake Type)

| STOCK NO. | PRODUCT NUMBER | CONNECTION SIZE | LENGTH (mm) | DIAMETER (mm) | DESICCANT VOLUME (cm ³) | PRICE \$ excl. GST |
|-----------|----------------|-----------------|-------------|---------------|-------------------------------------|--------------------|
| SP0473 | C145STTHH | 5/8" ODS | 110 | 112 | 229 | 131.00 |
| SP0475 | C146STTHH | 3/4" ODS | 123 | 112 | 229 | 140.00 |
| SP0478 | C147STTHH | 7/8" ODS | 126 | 112 | 229 | 143.00 |
| SP0480 | C149STTHH | 1-1/8" ODS | 125 | 112 | 229 | 154.00 |



■ Suction filters may create excessive pressure drop on some application and may need to be removed after clean-up. Please contact Realcold for further information and correct selection.

SPORLAN DRIER CORES



| STOCK NO. | PRODUCT NUMBER | DESCRIPTION | APPLICATION | PRICE \$ excl. GST |
|-----------|----------------|--------------------------|-------------------------|-----------------------|
| SP3202 | RC4864 | Drier Core Standard | General use | 57.00 |
| SP3208 | RCW48 | Drier Core High Moisture | High Moisture | 92.00 |
| SP3205 | RC4864HH | Drier Core - Burn Out | Burn Out or Clean Up | 81.00 |
| SP3211 | RPE48BD | Filter Element | Suction Side Filtration | 66.00 |



RC-4864 – Activated Core

This high quality standard core consists of a blend of highly effective desiccants. Suitable for most installations in the liquid or suction line applications.

RCW-48 – High Water Capacity Core

Designed specially for use with POE oils. This core should be used on systems that have a ruptured water cooled condenser, or that have been exposed to the atmosphere, or for some reason have a high amount of moisture in the system.

RC-4864-HH – Activated Charcoal Core

This core should be used for wax removal on med & low temperature systems, and for clean-up of systems that have had a hermetic motor burnout. After clean-up this core should be replaced with RPE-48-BD Filter Element.

RPE-48-BD – Filter Element

This element should be used in the suction line to obtain the lowest possible pressure drop. In cleaning up a system after a hermetic motor burnout, cores should be used first. Then after the system is thoroughly clean, this filter element can be installed in the shell to offer continued compressor protection against solid particulates.

DEMOUNTABLE DRIER SHELLS

| STOCK NO. | PRODUCT NUMBER | CONNECTION SIZE | NO OF CORES | PRICE \$ excl. GST |
|-----------|----------------|-----------------|-------------|-----------------------|
| SD0000 | BFDS-487 | 7/8" ODS | 1 Core | 242.00 |
| SD0001 | BFDS-489 | 1-1/8" ODS | 1 Core | 242.00 |
| SD0002 | BFDS-4811 | 1-3/8" ODS | 1 Core | 242.00 |
| SD0003 | BFDS-4813 | 1-5/8" ODS | 1 Core | 242.00 |
| SD0004 | BFDS-4817 | 2-1/8" ODS | 1 Core | 242.00 |
| SD0005 | BFDS-4825 | 2-5/8" ODS | 1 Core | 242.00 |
| SD0007 | BFDS-967 | 7/8" ODS | 2 Core | 305.00 |
| SD0008 | BFDS-969 | 1-1/8" ODS | 2 Core | 305.00 |
| SD0009 | BFDS-9613 | 1-3/8" ODS | 2 Core | 305.00 |
| SD0010 | BFDS-9613 | 1-5/8" ODS | 2 Core | 305.00 |
| SD0011 | BFDS-9617 | 2-1/8" ODS | 2 Core | 305.00 |
| SD0032 | - | 2-5/8" ODS | 2 Core | 441.00 |
| SD0015 | BFDS-1449 | 1-1/8" ODS | 3 Core | 378.00 |
| SD0016 | BFDS-14411 | 1-3/8" ODS | 3 Core | 378.00 |
| SD0017 | BFDS-14413 | 1-5/8" ODS | 3 Core | 378.00 |
| SD0018 | - | 2-1/8" ODS | 3 Core | 410.00 |
| SD0020 | BFDS-19211 | 1-3/8" ODS | 4 Core | 441.00 |
| SD0021 | BFDS-19213 | 1-5/8" ODS | 4 Core | 441.00 |
| SD0022 | BFDS-19217 | 2-1/8" ODS | 4 Core | 441.00 |

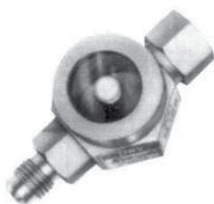


DRIER SHELLS MOUNTING BRACKET

| STOCK NO. | PRODUCT NUMBER | DESCRIPTION | PRICE \$ excl. GST |
|-----------|----------------|---|-----------------------|
| SD0025 | ACR3056 | Bracket for mounting standard size drier shells | 38.00 |



SEE-ALL LIQUID & MOISTURE INDICATOR



ONE INDICATOR for REFRIGERANTS 134A, 22, 404A, 410A, and 507. The See-All Moisture and Liquid Indicator provides a true moisture indication for Refrigerants 134a, 22, 404A and 507. The See-All is also suitable for Refrigerants 410A, 401A & B, 402A & B and 409A. The dark green indicates dry and a bright yellow indicates wet. The one indicator avoids the confusion found in models with two elements. You cannot pick the wrong element when checking the moisture content of the system.

SPORLAN SIGHT GLASS - FLARE

| STOCK NO. | PRODUCT NUMBER | SIZE | PRICE \$ excl. GST |
|-----------|----------------|--------------------------|-----------------------|
| SP2701 | SA-12 | 1/4" MF | 38.00 |
| SP2707 | SA-12FM | 1/4" MF X FF | 40.00 |
| SP2703 | SA-13 | 3/8" MF | 40.00 |
| SP2704 | SA-13FM | 3/8" MF X FF | 42.00 |
| SP2710 | SA-14 | 1/2" MF | 50.00 |
| SP2711 | SA-14FM | 1/2" MF X FF | 52.00 |
| SP2706 | SA-15 | 5/8" MF | 52.00 |
| SP2720 | SA-15-U | 5/8" MF X FF (Swivel) | 61.00 |

SPORLAN SIGHT GLASS - SOLDER

| STOCK NO. | PRODUCT NUMBER | SIZE | PRICE \$ excl. GST |
|-----------|----------------|------------|-----------------------|
| SP2702 | SA-12-S | 1/4" ODS | 40.00 |
| SP2705 | SA-13-S | 3/8" ODS | 42.00 |
| SP2712 | SA-14-S | 1/2" ODS | 52.00 |
| SP2718 | SA-15-S | 5/8" ODS | 53.00 |
| SP2722 | SA-17-S | 7/8" ODS | 77.00 |
| SP2723 | SA-19-S | 1 1/8" ODS | 85.00 |
| SP2724 | SA-211 | 1 3/8" ODS | 166.00 |
| SP2726 | SA-213 | 1 5/8" ODS | 192.00 |
| SP2728 | SA-217 | 2 1/8" ODS | 259.00 |

| STOCK NO. | PRODUCT NUMBER | DESCRIPTION | PRICE \$ excl. GST |
|-----------|----------------|-----------------------|-----------------------|
| SP2700 | K-SA-4 | Replacement Indicator | 9.00 |

SPORLAN

FEATURES

Reliable And Accurately Calibrated Colour Change Points.
The See-All Moisture and Liquid Indicator is accurately calibrated in parts per million of moisture for each refrigerant.

Colour Changes Are Easily Distinguished and Reversible.
The indicator's colour differs so widely between WET and DRY conditions that there is no possibility of confusion between the two. Colours will reverse as often as moisture concentration in the system changes.

Large Full View Sight Glass.

The See-All Moisture and Liquid Indicator has an extra large crystal clear sight glass for viewing the refrigerant. Bubbles can indicate a shortage of refrigerant or a restriction in the liquid line.

Indicator Protected from Discolouration and Dirt.

The indicator is protected by a filter pad and screen. This prevents washing of the indicator by the refrigerant and protects it from the system contamination and turbulence.

Replaceable Indicator Element.

The colour moisture indicator can be changed on the new fused glass models without the need to remove the See-All from the line. Simple replacement of the indicator is through the bottom. Request the K-SA-4 kit (SP2700)