



KIRBY® POLAR PACK Condensing Units

Compact, robust and designed
for harsh ambient conditions



Exclusively distributed by

KIRBY
A BEIJER REF Company

KIRBY® POLAR PACK

Condensing Units

Introduction & Overview

Compact and robust, our Polar Pack Series III commercial refrigeration unit is specially designed for harsh ambient conditions.

Pre-wired and constructed around a small base, Polar Pack is easy to install.

Kirby's outdoor condensing units have always been renowned for their durability and clever design. The Polar Pack is no exception. Being a fully enclosed system, it can be installed indoors or outside.

Features & Benefits

Kirby® Polar Pack condensing units offer:

- Wide model range between 1.6Kw and 11.0kW
- True high ambient condenser design, with operating capacity up to 45°C
- Removable panels for ease of servicing
- Factory pre-wired for quicker, easier installation and commissioning
- Phase failure protection module
- Coil protection as standard on all models
- Powder coated exterior for long wearing durability
- Suction accumulator as standard on all low temperature models



Kirby® Polar Pack condensing units can be configured with the following options:

- Horizontal airflow on select models

Kirby® Polar Pack Condensing Units – Nomenclature

PP	H	100
		Nominal Capacity
Compressor Type		
H	Hermetic Reciprocating	
S	Semi Hermetic Reciprocating	
Unit Type		
PP	Kirby Polar Pack	

M	A1	-2
Power Supply & Release Number		
Odd Single Phase Supply		
Even Three Phase Supply		
Condenser Type & Variation		
A	Air Cooled	
Usage Application		
L	Low Temperature	
M	Medium Temperature	
H	High Temperature	

POLAR PACK CONDENSING UNITS

R404A Medium Temperature Performance Data

Hermetic Reciprocating Compressors

PRODUCT NUMBER	DISPLACEMENT (m3/hr)	AMBIENT TEMP. (°C)	CAPACITY WATTS @ SST (°C)												RECEIVER CAPACITY (kg)
			LT						MT			HT			
			-45	-40	-35	-30	-25	-20	-15	-10	-5	0	5	10	
KULTHORN KIRBY HERMETIC RECIPROCATING COMPRESSORS															
PPH016MA1-1	2.82	35	-	-	-	-	-	900	1,095	1,310	1,545	1,795	2,070	-	2.0
		45	-	-	-	-	-	735	905	1,090	1,285	1,495	1,720	-	
PPH018MA1-1	3.13	35	-	-	-	-	-	1,005	1,230	1,475	1,730	2,005	2,300	-	2.0
		45	-	-	-	-	-	820	1,010	1,210	1,425	1,645	1,885	-	
PPH022MA1-1	3.74	35	-	-	-	-	-	-	1,435	1,745	2,090	2,465	2,875	-	2.0
		45	-	-	-	-	-	-	1,130	1,420	1,735	2,075	2,435	-	
PPH027MA1-1	4.66	35	-	-	-	-	-	-	1,765	2,170	2,580	2,995	3,415	-	2.0
		45	-	-	-	-	-	-	1,440	1,805	2,165	2,515	2,860	-	
PPH030MA1-1	5.31	35	-	-	-	-	-	-	2,145	2,615	3,125	3,670	4,250	-	2.0
		45	-	-	-	-	-	-	1,745	2,160	2,595	3,040	3,495	-	
PPH040MA1-1	7.50	35	-	-	-	-	-	-	2,520	3,145	3,810	4,525	5,285	-	3.6
		45	-	-	-	-	-	-	1,910	2,485	3,075	3,675	4,280	-	
PPH040MA1-2	7.50	35	-	-	-	-	-	-	2,520	3,145	3,810	4,525	5,285	-	3.6
		45	-	-	-	-	-	-	1,910	2,485	3,075	3,675	4,280	-	
PPH046MA1-1	8.42	35	-	-	-	-	-	-	2,830	3,640	4,505	5,430	6,415	-	3.6
		45	-	-	-	-	-	-	2,290	3,045	3,815	4,595	5,400	-	
PPH046MA1-2	8.42	35	-	-	-	-	-	-	2,830	3,640	4,505	5,430	6,415	-	3.6
		45	-	-	-	-	-	-	2,290	3,045	3,815	4,595	5,400	-	
PPH052MA1-1	9.31	35	-	-	-	-	-	-	3,120	4,015	4,955	5,940	6,970	-	3.6
		45	-	-	-	-	-	-	2,520	3,365	4,195	5,010	5,805	-	
PPH052MA1-2	9.31	35	-	-	-	-	-	-	3,120	4,015	4,955	5,940	6,970	-	3.6
		45	-	-	-	-	-	-	2,520	3,365	4,195	5,010	5,805	-	
DANFOSS MANEUROP HERMETIC RECIPROCATING COMPRESSORS															
PPH062MA1-1	10.52	35	-	-	-	1,970	2,545	3,230	4,035	4,945	5,950	7,035	8,175	-	6.7
		45	-	-	-	-	1,980	2,570	3,245	4,000	4,815	5,685	6,580	-	
PPH062MA1-2	10.52	35	-	-	-	1,970	2,545	3,230	4,035	4,945	5,950	7,035	8,175	-	6.7
		45	-	-	-	-	1,980	2,570	3,245	4,000	4,815	5,685	6,580	-	
PPH068MA1-2	11.81	35	-	-	-	1,920	2,615	3,450	4,395	5,425	6,515	7,645	8,790	-	6.7
		45	-	-	-	-	2,010	2,765	3,590	4,450	5,320	6,205	7,100	-	
PPH075MA1-2	13.26	35	-	-	-	2,120	2,815	3,670	4,685	5,845	7,135	8,525	9,995	-	6.7
		45	-	-	-	-	2,080	2,810	3,670	4,645	5,710	6,845	8,000	-	
PPH089MA1-2	14.90	35	-	-	-	2,605	3,395	4,375	5,535	6,855	8,310	9,850	11,415	-	6.7
		45	-	-	-	-	2,510	3,380	4,375	5,475	6,670	7,925	9,185	-	
PPH100MA1-2	16.73	35	-	-	-	2,665	3,690	4,915	6,325	7,870	9,505	11,190	12,895	-	6.7
		45	-	-	-	-	2,770	3,840	5,055	6,370	7,725	9,060	10,355	-	
PPH113MA1-2	18.74	35	-	-	-	3,245	4,365	5,705	7,230	8,900	10,670	12,490	14,310	-	6.7
		45	-	-	-	-	3,315	4,525	5,845	7,235	8,655	10,100	11,520	-	

- Liquid entering temperature with inherent sub-cooling average 2-3°C, return vapour temperature of 20°C. Return vapour temperature should never exceed 20°C for any refrigerant.
- Low temperature applications should be restricted to 20K return vapour superheat.
- All capacity data based on continuous condenser fan operation without the consideration of fan speed control.

POLAR PACK CONDENSING UNITS

R404A Low / Medium Temperature Performance Data

Semi-Hermetic Reciprocating Compressors

PRODUCT NUMBER	DISPLACEMENT (m3/hr)	AMBIENT TEMP. (°C)	CAPACITY WATTS @ SST (°C)												RECEIVER CAPACITY (kg)
			LT						MT			HT			
			-45	-40	-35	-30	-25	-20	-15	-10	-5	0	5	10	
DORIN SEMI-HERMETIC RECIPROCATING COMPRESSORS															
PPS026LMHA1-6	3.86	35	-	510	695	905	1,140	1,405	1,710	2,050	2,425	2,830	3,260	-	2.0
		45	-	-	515	695	895	1,120	1,375	1,660	1,970	2,305	2,650	-	
PPS031LMHA1-6	5.30	35	-	-	860	1,130	1,445	1,805	2,210	2,655	3,140	3,655	4,180	-	2.0
		45	-	-	640	875	1,145	1,450	1,795	2,170	2,570	2,985	-	-	
PPS039LMHA1-6	6.75	35	-	-	1,080	1,410	1,790	2,225	2,715	3,260	3,850	4,475	5,130	-	3.6
		45	-	-	-	1,090	1,415	1,780	2,195	2,650	3,140	3,655	-	-	
PPS046LMHA1-6	7.71	35	-	-	1,230	1,600	2,035	2,535	3,115	3,770	4,495	5,280	6,115	-	3.6
		45	-	-	-	1,235	1,605	2,035	2,530	3,085	3,695	4,355	5,035	-	
PPS056LMHA1-6	8.47	35	-	-	1,510	1,990	2,520	3,105	3,760	4,485	5,275	6,115	7,000	-	3.6
		45	-	-	-	1,535	2,000	2,510	3,065	3,675	4,325	5,010	5,700	-	
PPS057LMHA1-6	9.88	35	-	-	1,580	2,070	2,630	3,265	3,980	4,765	5,620	6,515	7,435	-	3.6
		45	-	-	-	1,605	2,080	2,620	3,220	3,885	4,590	5,315	6,030	-	
PPS074LMHA1-6	12.17	35	-	-	1,890	2,490	3,190	3,990	4,895	5,905	7,010	8,200	9,455	-	6.8
		45	-	-	-	1,950	2,545	3,230	4,005	4,870	5,810	6,800	7,815	-	
PPS084LMA1-4	14.74	35	-	-	2,400	3,125	3,960	4,920	6,010	7,225	8,545	9,935	11,340	-	6.8
		45	-	-	-	2,455	3,170	3,985	4,910	5,935	7,045	8,200	-	-	
PPS094LMA1-4	15.94	35	-	-	2,750	3,535	4,450	5,500	6,690	8,020	9,465	11,005	12,595	-	6.8
		45	-	-	-	2,835	3,605	4,500	5,520	6,660	7,875	9,120	-	-	
PPS103LMA1-4	17.53	35	-	-	3,105	3,955	4,930	6,055	7,330	8,750	10,300	11,940	13,630	-	6.8
		45	-	-	2,450	3,175	4,025	4,990	6,075	7,260	8,540	9,880	-	-	

- Liquid entering temperature with inherent sub-cooling average 2-3°C, return vapour temperature of 20°C. Return vapour temperature should never exceed 20°C for any refrigerant.
- Low temperature applications should be restricted to 20K return vapour superheat.
- All capacity data based on continuous condenser fan operation without the consideration of fan speed control.

POLAR PACK CONDENSING UNITS

R404A Low Temperature Performance Data

Hermetic Reciprocating Compressors

PRODUCT NUMBER	DISPLACEMENT (m ³ /hr)	AMBIENT TEMP. (°C)	CAPACITY WATTS @ SST (°C)												RECEIVER CAPACITY (kg)
			LT						MT			HT			
			-45	-40	-35	-30	-25	-20	-15	-10	-5	0	5	10	
KULTHORN KIRBY HERMETIC RECIPROCATING COMPRESSORS															
PPH010LA1-1	3.74	35	-	-	520	700	915	1,160	1,440	-	-	-	-	-	2.0
		45	-	-		540	700	905	1,165	-	-	-	-	-	
PPH012LA1-1	4.65	35	-	-	625	845	1,105	1,405	1,745	-	-	-	-	-	2.0
		45	-	-		630	835	1,090	1,390	-	-	-	-	-	
PPH014LA1-1	5.31	35	-	-	705	975	1,280	1,620	2,000	-	-	-	-	-	2.0
		45	-	-		740	1,005	1,300	1,640	-	-	-	-	-	
PPH020LA1-1	7.50	35	-	-	1,085	1,445	1,855	2,310	2,815	-	-	-	-	-	3.6
		45	-	-		1,020	1,405	1,825	2,285	-	-	-	-	-	
PPH024LA1-1	9.31	35	-	-	-	1,750	2,200	2,785	3,495	-	-	-	-	-	3.6
		45	-	-	-	1,190	1,665	2,230	2,890	-	-	-	-	-	
DANFOSS MANEUROP HERMETIC RECIPROCATING COMPRESSORS															
PPH028LA1-2	11.81	35	-	1,315	1,840	2,440	3,100	3,825	4,620	5,495	-	-	-	-	3.6
		45	-	-	1,450	1,965	2,535	3,155	3,830	4,580	-	-	-	-	
PPH043LA1-2	16.73	35	-	-	2,190	2,990	3,905	4,985	6,245	7,705	-	-	-	-	6.7
		45	-	-	-	2,280	3,070	4,005	5,100	6,375	-	-	-	-	
PPH050LA1-2	18.74	35	-	-	2,665	3,635	4,720	5,935	7,290	8,820	-	-	-	-	6.7
		45	-	-	-	2,825	3,765	4,800	5,950	7,245	-	-	-	-	
PPH061LA1-2	23.63	35	-	-	3,405	4,520	5,795	7,225	8,815	10,600	-	-	-	-	6.7
		45	-	-	2,625	3,600	4,710	5,940	7,305	8,845	-	-	-	-	

- Liquid entering temperature with inherent sub-cooling average 2-3°C, return vapour temperature of 20°C. Return vapour temperature should never exceed 20°C for any refrigerant.
- Low temperature applications should be restricted to 20K return vapour superheat.
- All capacity data based on continuous condenser fan operation without the consideration of fan speed control.

R134a Low Temperature Performance Data

Hermetic Reciprocating Compressors

PRODUCT NUMBER	DISPLACEMENT (m ³ /hr)	AMBIENT TEMP. (°C)	CAPACITY WATTS @ SST (°C)												RECEIVER CAPACITY (kg)
			LT						MT			HT			
			-45	-40	-35	-30	-25	-20	-15	-10	-5	0	5	10	
KULTHORN KIRBY HERMETIC RECIPROCATING COMPRESSORS															
PPH010LA1-1	3.74	35	-	-	-	-	-	-	900	1,160	1,450	1,780	2,150	2,560	2.3
		45	-	-	-	-	-	-	730	970	1,240	1,540	1,880	2,240	
PPH012LA1-1	4.65	35	-	-	-	-	-	-	1,100	1,410	1,760	2,160	2,590	3,060	2.3
		45	-	-	-	-	-	-	900	1,180	1,500	1,860	2,260	2,680	
PPH014LA1-1	5.31	35	-	-	-	-	-	-	1,250	1,610	2,010	2,460	2,960	3,510	2.3
		45	-	-	-	-	-	-	1,030	1,350	1,720	2,130	2,590	3,070	
PPH020LA1-1	7.50	35	-	-	-	-	-	-	1,530	2,020	2,580	3,210	3,900	4,660	4.2
		45	-	-	-	-	-	-	1,180	1,630	2,150	2,720	3,350	4,040	
PPH024LA1-1	9.31	35	-	-	-	-	-	-	2,050	2,670	3,390	4,180	5,060	6,020	4.2
		45	-	-	-	-	-	-	1,640	2,210	2,860	3,590	4,390	5,260	
DANFOSS HERMETIC RECIPROCATING COMPRESSORS															
PPH062MA1-1	10.52	35	-	-	-	-	-	1,780	2,380	3,105	3,935	4,875	5,920	7,065	7.8
		45	-	-	-	-	-	-	2,015	2,665	3,405	4,235	5,155	6,160	
PPH062MA1-2	10.52	35	-	-	-	-	-	1,780	2,380	3,105	3,935	4,875	5,920	7,065	7.8
		45	-	-	-	-	-	-	2,015	2,665	3,405	4,235	5,155	6,160	
PPH068MA1-2	11.81	35	-	-	-	-	-	1,985	2,580	3,290	4,125	5,085	6,175	7,390	7.8
		45	-	-	-	-	-	-	2,170	2,805	3,550	4,405	5,380	6,475	
PPH075MA1-2	13.26	35	-	-	-	-	-	-	2,585	3,415	4,395	5,535	6,835	8,295	7.8
		45	-	-	-	-	-	-	2,065	2,790	3,650	4,645	5,790	7,080	
PPH089MA1-2	14.90	35	-	-	-	-	-	-	2,955	3,940	5,075	6,380	7,855	9,525	7.8
		45	-	-	-	-	-	-	2,380	3,245	4,240	5,380	6,685	8,195	
PPH100MA1-2	16.73	35	-	-	-	-	-	2,295	3,120	4,115	5,320	6,735	8,370	10,225	7.8
		45	-	-	-	-	-	-	2,495	3,380	4,465	5,770	7,295	9,045	
PPH113MA1-2	18.74	35	-	-	-	-	-	-	3,640	4,840	6,265	7,920	9,800	11,900	7.8
		45	-	-	-	-	-	-	2,940	4,005	5,270	6,735	8,410	10,290	

- Liquid entering temperature with inherent sub-cooling average 2-3°C, return vapour temperature of 20°C. Return vapour temperature should never exceed 20°C for any refrigerant.
- Low temperature applications should be restricted to 20K return vapour superheat.
- All capacity data based on continuous condenser fan operation without the consideration of fan speed control.

POLAR PACK CONDENSING UNITS

R134a Low / Medium / High Temperature Performance Data

Semi-Hermetic Reciprocating Compressors

PRODUCT NUMBER	DISPLACEMENT 0(m ³ /hr)	AMBIENT TEMP. (°C)	CAPACITY WATTS @ SST (°C)												RECEIVER CAPACITY (kg)
			LT						MT			HT			
			-45	-40	-35	-30	-25	-20	-15	-10	-5	0	5	10	
DORIN SEMI-HERMETIC RECIPROCATING COMPRESSORS															
PPS026LMHA1-6	3.86	35	-	-	-	-	-	710	940	1,220	1,540	1,905	2,315	2,765	2.3
		45	-	-	-	-	-	555	760	1,005	1,290	1,610	1,970	2,370	
PPS031LMHA1-6	5.30	35	-	-	-	-	-	880	1,160	1,495	1,885	2,330	2,820	3,365	2.3
		45	-	-	-	-	-	690	945	1,240	1,585	1,980	2,415	2,890	
PPS039LMHA1-6	6.75	35	-	-	-	-	-	1,125	1,485	1,910	2,405	2,965	3,590	4,285	4.2
		45	-	-	-	-	-	890	1,210	1,590	2,025	2,520	3,075	3,690	
PPS046LMHA1-6	7.71	35	-	-	-	-	-	1,295	1,725	2,230	2,810	3,480	4,235	5,080	4.2
		45	-	-	-	-	-	-	1,405	1,850	2,365	2,960	3,635	4,385	
PPS056LMHA1-6	8.47	35	-	-	-	-	-	1,605	2,120	2,715	3,405	4,195	5,080	6,060	4.2
		45	-	-	-	-	-	1,285	1,740	2,270	2,890	3,595	4,385	5,265	
PPS057LMHA1-6	9.88	35	-	-	-	-	1,330	1,805	2,350	2,985	3,715	4,545	5,470	6,495	4.2
		45	-	-	-	-	-	1,480	1,965	2,530	3,180	3,925	4,755	5,670	
PPS074LMHA1-6	12.17	35	-	-	-	-	-	2,225	2,880	3,635	4,515	5,510	6,635	7,885	7.8
		45	-	-	-	-	-	-	2,440	3,120	3,900	4,795	5,800	6,920	
PPS084LMA1-4	14.74	35	-	-	-	-	-	2,785	3,590	4,520	5,595	6,815	8,185	9,695	7.8
		45	-	-	-	-	-	2,295	3,010	3,845	4,810	5,915	7,160	8,555	
PPS094LMA1-4	15.94	35	-	-	-	-	-	3,005	3,880	4,900	6,085	7,445	8,965	10,650	7.8
		45	-	-	-	-	-	-	3,250	4,160	5,220	6,440	7,810	9,330	
PPS103LMA1-4	17.53	35	-	-	-	-	-	3,285	4,245	5,355	6,640	8,100	9,745	11,560	7.8
		45	-	-	-	-	-	2,695	3,555	4,550	5,700	7,015	8,495	10,135	

- Liquid entering temperature with inherent sub-cooling average 2-3°C, return vapour temperature of 20°C. Return vapour temperature should never exceed 20°C for any refrigerant.
- Low temperature applications should be restricted to 20K return vapour superheat.
- All capacity data based on continuous condenser fan operation without the consideration of fan speed control.

POLAR PACK CONDENSING UNITS

R448A Medium Temperature Performance Data Hermetic Reciprocating Compressors

PRODUCT NUMBER	DISPLACEMENT (m ³ /hr)	AMBIENT TEMP. (°C)	CAPACITY WATTS @ SST (°C)												RECEIVER CAPACITY (kg)
			LT						MT			HT			
			-45	-40	-35	-30	-25	-20	-15	-10	-5	0	5	10	
DANFOSS MANEUROP HERMETIC RECIPROCATING COMPRESSORS															
PPH062MA1-1	10.52	35	-	-	-	-	1,975	2,660	3,465	4,400	5,465	6,665	8,000	-	6.2
		45	-	-	-	-	1,575	2,180	2,890	3,710	4,645	5,695	6,855	-	
PPH062MA1-2	10.52	35	-	-	-	-	1,975	2,660	3,465	4,400	5,465	6,665	8,000	-	6.2
		45	-	-	-	-	1,575	2,180	2,890	3,710	4,645	5,695	6,855	-	
PPH068MA1-2	11.81	35	-	-	-	-	2,240	3,020	3,930	4,975	6,160	7,485	8,950	-	6.2
		45	-	-	-	-	1,815	2,485	3,280	4,200	5,235	6,390	7,665	-	
PPH075MA1-2	13.26	35	-	-	-	-	3,045	4,060	5,220	6,520	7,980	9,630	-	6.2	
		45	-	-	-	-	2,460	3,365	4,350	5,450	6,695	8,130	-		
PPH089MA1-2	14.90	35	-	-	-	-	2,405	3,405	4,575	5,910	7,425	9,130	11,055	-	6.2
		45	-	-	-	-	2,775	3,810	4,965	6,270	7,750	9,440	-		
PPH100MA1-2	16.73	35	-	-	-	-	3,810	5,125	6,630	8,325	10,230	12,380	-	6.2	
		45	-	-	-	-	3,115	4,300	5,595	7,035	8,670	10,550	-		
PPH113MA1-2	18.74	35	-	-	-	-	3,250	4,510	5,990	7,690	9,610	11,755	14,140	-	6.2
		45	-	-	-	-	3,875	5,340	7,020	8,910	11,005	13,330	-		

- Liquid entering temperature with inherent sub-cooling average 2-3°C, return vapour temperature of 20°C. Return vapour temperature should never exceed 20°C for any refrigerant.
- Low temperature applications should be restricted to 20K return vapour superheat.
- All capacity data based on continuous condenser fan operation without the consideration of fan speed control.

POLAR PACK CONDENSING UNITS

R448A Low / Medium / High Temperature Performance Data Semi-Hermetic Reciprocating Compressors

PRODUCT NUMBER	DISPLACEMENT (m ³ /hr)	AMBIENT TEMP. (°C)	CAPACITY WATTS @ SST (°C)												RECEIVER CAPACITY (kg)
			LT						MT			HT			
			-45	-40	-35	-30	-25	-20	-15	-10	-5	0	5	10	
DORIN SEMI-HERMETIC RECIPROCATING COMPRESSORS															
PPS026LMHA1-6	3.86	35	-	-	-	765	1,005	1,290	1,620	2,000	2,430	2,905	3,430	-	1.8
		45	-	-	-	-	795	1,050	1,345	1,685	2,065	2,495	-	-	
PPS031LMHA1-6	5.30	35	-	-	-	945	1,250	1,605	2,030	2,510	3,060	3,665	4,330	-	1.8
		45	-	-	-	725	990	1,310	1,690	2,125	2,615	3,155	-	-	
PPS039LMHA1-6	6.75	35	-	-	-	1,185	1,550	1,980	2,485	3,065	3,720	4,450	5,255	-	3.3
		45	-	-	-	-	1,235	1,620	2,065	2,580	3,160	3,805	-	-	
PPS046LMHA1-6	7.71	35	-	-	-	1,745	2,245	2,830	3,515	4,295	5,175	6,140	-	3.3	
		45	-	-	-	-	1,370	1,805	2,330	2,950	3,655	4,445	-		-
PPS056LMHA1-6	8.47	35	-	-	-	1,650	2,160	2,760	3,445	4,230	5,110	6,080	7,135	-	3.3
		45	-	-	-	-	1,715	2,245	2,865	3,565	4,350	5,215	-	-	
PPS057LMHA1-6	9.88	35	-	-	-	1,730	2,270	2,910	3,655	4,505	5,455	6,510	7,655	-	3.3
		45	-	-	-	-	1,805	2,370	3,035	3,795	4,645	5,580	-	-	
PPS074LMHA1-6	12.17	35	-	-	-	2,085	2,755	3,550	4,480	5,555	6,770	8,125	9,610	-	6.7
		45	-	-	-	-	2,215	2,925	3,760	4,725	5,815	7,020	-	-	
PPS084LMA1-4	14.74	35	-	-	-	2,625	3,440	4,405	5,540	6,845	8,315	9,945	11,735	-	6.7
		45	-	-	-	-	2,775	3,630	4,635	5,795	7,105	8,555	-	-	
PPS094LMA1-4	15.94	35	-	-	-	2,990	3,865	4,910	6,140	7,560	9,165	10,955	12,910	-	6.7
		45	-	-	-	-	3,165	4,090	5,185	6,450	7,885	9,475	-	-	
PPS103LMA1-4	17.53	35	-	-	-	3,340	4,300	5,440	6,775	8,310	10,050	11,985	14,110	-	6.7
		45	-	-	-	-	3,540	4,560	5,755	7,130	8,680	10,400	-	-	

- Liquid entering temperature with inherent sub-cooling average 2-3°C, return vapour temperature of 20°C. Return vapour temperature should never exceed 20°C for any refrigerant.
- Low temperature applications should be restricted to 20K return vapour superheat.
- All capacity data based on continuous condenser fan operation without the consideration of fan speed control.

POLAR PACK CONDENSING UNITS

Technical Data

PRODUCT NUMBER	COMPRESSOR MODEL	CONDENSER FAN DATA			ELECTRICAL DATA				CONNECTIONS		SOUND POWER db(A)
		NO. OF FANS	DIAMETER (mm)	AIRFLOW (l/s)	MCC	LRA	RLA	INPUT	LIQUID	SUCTION	
KULTHORN KIRBY HERMETIC RECIPROCATING COMPRESSORS											
PPH016MA1-1	BA16MG-4KS	1	300	455	4.9	14.92	3.82	885	9.52	12.70	69
PPH018MA1-1	BA18MG-1KS	1	300	455	6.1	18.32	4.12	975	9.52	12.70	71
PPH022MA1-1	WJ22MHG-1C	1	300	440	8.5	25.32	5.62	1,295	9.52	12.70	72
PPH027MA1-1	WJ26MHG-3C	1	300	440	10.8	31.32	7.02	1,655	9.52	12.70	71
PPH030MA1-1	WJ31MHG-1C	1	300	440	12.2	40.32	6.82	1,915	9.52	12.70	72
PPH040MA1-1	AW43MHG-1C	1	300	415	13.5	46.32	9.92	2,175	12.70	15.88	72
PPH040MA1-2	AW43MHG-4C	1	300	415	5.5	25.32	3.72	2,225	12.70	15.88	72
PPH046MA1-1	AW48MHG-1C	1	350	630	15.2	55.58	12.18	2,570	12.70	15.88	74
PPH046MA1-2	AW48MHG-4C	1	350	630	5.3	36.58	4.78	2,630	12.70	15.88	74
PPH052MA1-1	AW54MHG-3C	1	350	630	17.3	82.58	13.48	2,900	12.70	15.88	75
PPH052MA1-2	AW54MHG-4C	1	350	630	6.5	36.58	4.78	2,900	12.70	15.88	75
DANFOSS MANEUROP HERMETIC RECIPROCATING COMPRESSORS											
PPH062MA1-1	MTZ36-5VI	2	300	840	20.6	70.64	15.07	3,515	15.88	19.05	74
PPH062MA1-2	MTZ36-4VI	2	300	840	9.6	30.64	6.41	3,515	15.88	19.05	74
PPH068MA1-2	MTZ40-4VI	2	300	840	10.6	38.64	7.11	3,995	15.88	22.22	74
PPH075MA1-2	MTZ44-4VI	2	300	810	10.1	49.14	7.50	3,765	15.88	22.22	81
PPH089MA1-2	MTZ50-4VI	2	350	1300	12.7	49.66	9.02	4,270	15.88	22.22	84
PPH100MA1-2	MTZ56-4VI	2	350	1205	13.2	65.16	10.40	4,800	15.88	22.22	82
PPH113MA1-2	MTZ64-4VI	2	350	1135	15.2	65.16	9.97	5,490	15.88	22.22	81
DORIN SEMI-HERMETIC RECIPROCATING COMPRESSORS											
PPS026LMHA1-6	H80CC/HTCR	1	300	440	3.2	14.12	3.12	1,645	9.52	12.70	70
PPS031LMHA1-6	H101CC/HTCR	1	300	440	4.7	20.32	3.92	2,125	9.52	15.88	70
PPS039LMHA1-6	H151CC/HTCR	1	300	415	6.3	24.82	4.72	2,565	12.70	15.88	70
PPS046LMHA1-6	H181CC/HTCR	1	350	630	6.6	25.08	4.98	2,620	12.70	15.88	73
PPS056LMHA1-6	H201CC/HTCR	1	350	630	6.6	25.08	4.98	2,620	12.70	15.88	73
PPS057LMHA1-6	H221CC/HTCR	1	350	630	6.6	25.08	4.98	2,620	12.70	15.88	73
PPS074LMHA1-6	H281CC/HTCR	2	300	810	10.0	44.14	7.40	5,045	15.88	19.05	74
PPS084LMA1-4	H300CC/HTCR	2	350	1300	10.6	44.76	8.10	5,420	15.88	19.05	76
PPS094LMA1-4	H350CC/HTCR	2	350	1205	10.6	44.76	8.44	5,590	15.88	22.22	76
PPS103LMA1-4	H380CC/HTCR	2	350	1135	10.6	44.76	9.27	5,670	15.88	22.22	76
KULTHORN KIRBY HERMETIC RECIPROCATING COMPRESSORS											
PPH010LA1-1	WJ22LZ-1C	1	300	440	5.4	30.30	3.00	855	9.52	12.70	71
PPH012LA1-1	WJ26LZ-1C	1	300	440	6.5	30.30	4.50	995	9.52	12.70	70
PPH014LA1-1	WJ31LZ-1C	1	300	440	7.7	37.30	4.50	1,125	9.52	12.70	71
PPH020LA1-1	AW43LZ-5C	1	300	415	8.6	43.30	7.20	1,273	9.52	15.88	71
PPH024LA1-1	AW54LZ-1C	1	350	630	12.3	43.60	8.50	1,795	9.52	15.88	73
DANFOSS MANEUROP HERMETIC RECIPROCATING COMPRESSORS											
PPH028LA1-2	NTZ068-4LR1	1	350	630	9.0	25.58	3.99	1,646	9.52	15.88	76
PPH043LA1-2	NTZ096-4LR1	2	350	1300	11.3	33.16	4.44	1,994	15.88	22.22	84
PPH050LA1-2	NTZ108-4LR1	2	350	1135	13.3	46.16	5.69	2,339	15.88	22.22	83
PPH061LA1-2	NTZ136-4LR1	2	350	1135	15.5	52.16	7.25	3,156	15.88	22.22	79

- Sound data is based on sound intensity measurements to ISO9614.2. Actual results may vary due to refrigerant flow noise and other factors.
- Please refer to Kirby Smart@access for specific information as required.

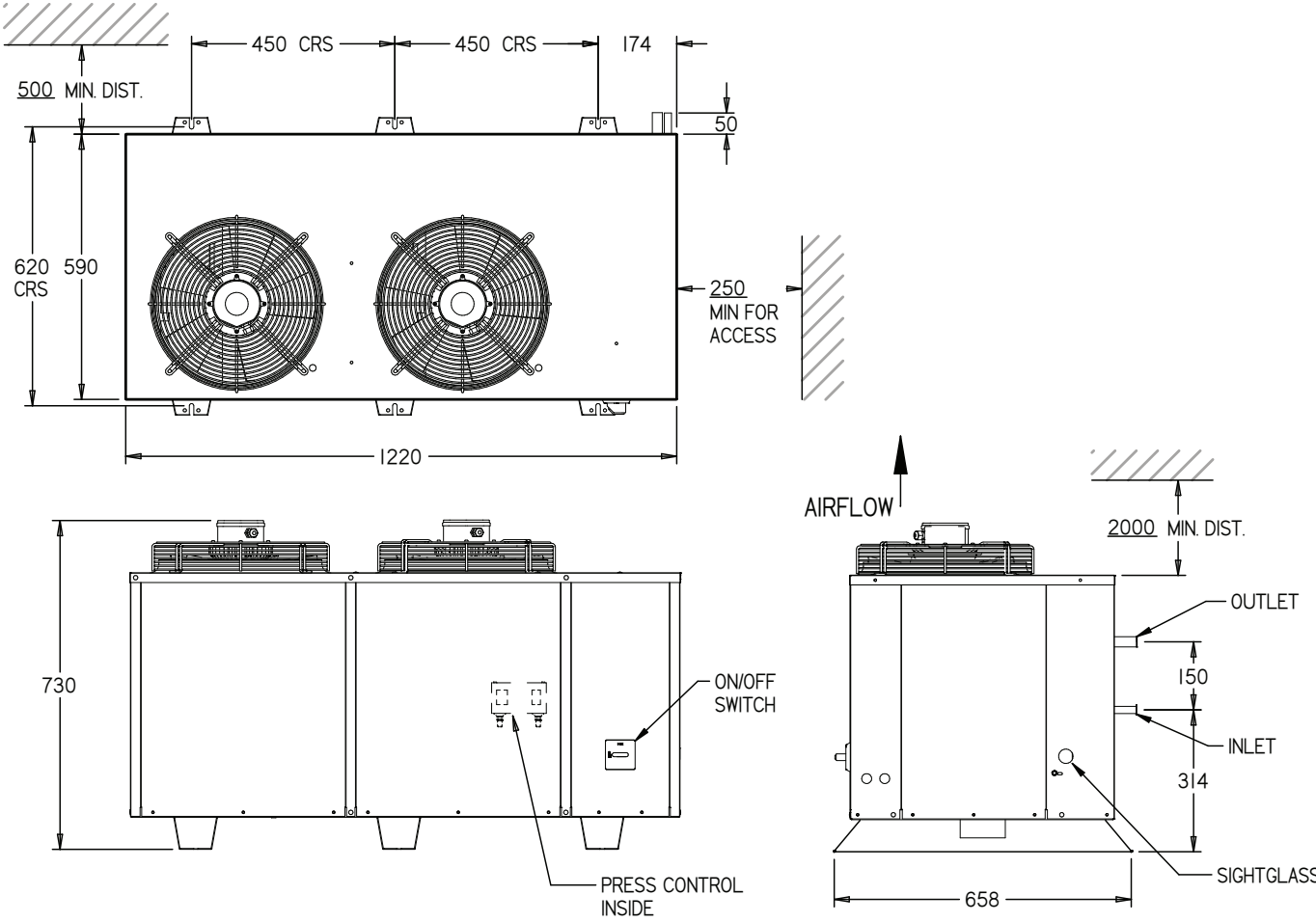
POLAR PACK CONDENSING UNITS

Physical Data

PRODUCT NUMBER	DIMENSIONS (mm)			MOUNTING HOLE (mm)		WEIGHT (kg)	
	HEIGHT	WIDTH	DEPTH	CRS	CRS	NET	GROSS
KULTHORN KIRBY HERMETIC RECIPROCATING COMPRESSORS							
PPH016MA1-1	730	750	660	420	620	55	67
PPH018MA1-1	730	750	660	420	620	55	67
PPH022MA1-1	730	750	660	420	620	70	82
PPH027MA1-1	730	750	660	420	620	70	82
PPH030MA1-1	730	750	660	420	620	70	82
PPH040MA1-1	730	750	660	420	620	80	92
PPH040MA1-2	730	750	660	420	620	80	92
PPH046MA1-1	730	750	660	420	620	80	92
PPH046MA1-2	730	750	660	420	620	80	92
PPH052MA1-1	730	750	660	420	620	80	92
PPH052MA1-2	730	750	660	420	620	80	92
DANFOSS MANEUROP HERMETIC RECIPROCATING COMPRESSORS							
PPH062MA1-1	730	1,220	660	450	620	100	121
PPH062MA1-2	730	1,220	660	450	620	100	121
PPH068MA1-2	730	1,220	660	450	620	100	121
PPH075MA1-2	730	1,220	660	450	620	115	136
PPH089MA1-2	730	1,220	660	450	620	110	131
PPH100MA1-2	730	1,220	660	450	620	115	136
PPH113MA1-2	730	1,220	660	450	620	120	141
DORIN SEMI-HERMETIC RECIPROCATING COMPRESSORS							
PPS026LMHA1-6	730	750	660	420	620	80	92
PPS031LMHA1-6	730	750	660	420	620	80	92
PPS039LMHA1-6	730	750	660	420	620	85	97
PPS046LMHA1-6	730	750	660	420	620	90	102
PPS056LMHA1-6	730	750	660	420	620	90	102
PPS057LMHA1-6	730	750	660	420	620	90	102
PPS074LMHA1-6	730	1,220	660	450	620	120	141
PPS084LMA1-4	730	1,220	660	450	620	130	151
PPS094LMA1-4	730	1,220	660	450	620	130	151
PPS103LMA1-4	730	1,220	660	450	620	135	156
KULTHORN KIRBY HERMETIC RECIPROCATING COMPRESSORS							
PPH010LA1-1	730	750	660	420	620	70	82
PPH012LA1-1	730	750	660	420	620	70	82
PPH014LA1-1	730	750	660	420	620	70	82
PPH020LA1-1	730	750	660	420	620	75	87
PPH024LA1-1	730	750	660	420	620	80	92
DANFOSS MANEUROP HERMETIC RECIPROCATING COMPRESSORS							
PPH028LA1-2	730	750	660	420	620	75	87
PPH043LA1-2	730	1,220	660	450	620	110	131
PPH050LA1-2	730	1,220	660	450	620	115	136
PPH061LA1-2	730	1,220	660	450	620	115	136

POLAR PACK CONDENSING UNITS

Dimensional Data

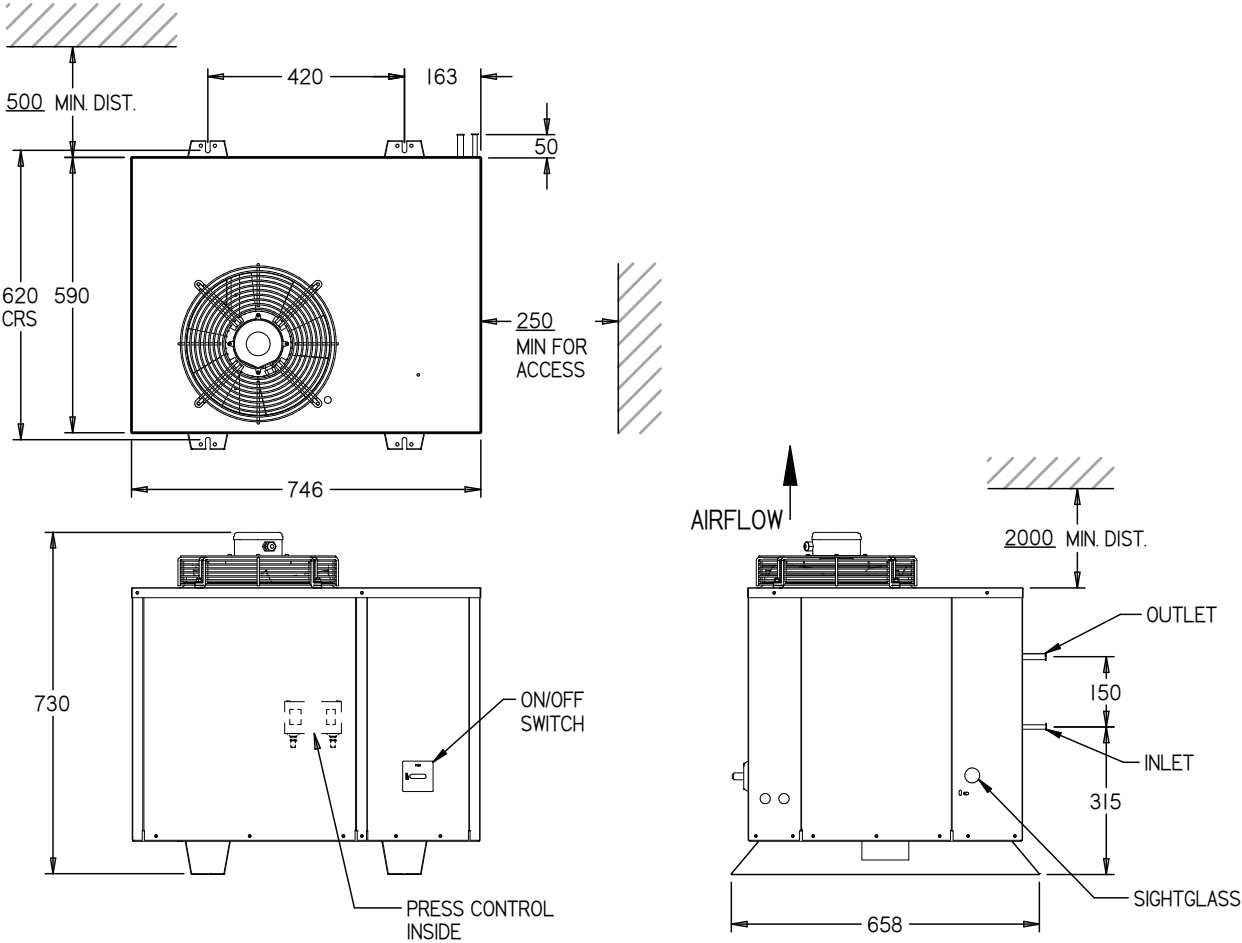


Important Notes:

- * It is particularly important for the units to allow sufficient unobstructed vertical air-discharge space above the unit to prevent warm air recirculation to the condenser.
- ** If the unit is to be located in close proximity to a wall or similar obstruction, the minimum distance from the coil face to the obstruction shall be complied with. The unit shall be mounted on a level horizontal plane surface.

POLAR PACK CONDENSING UNITS

Dimensional Data (cont'd)

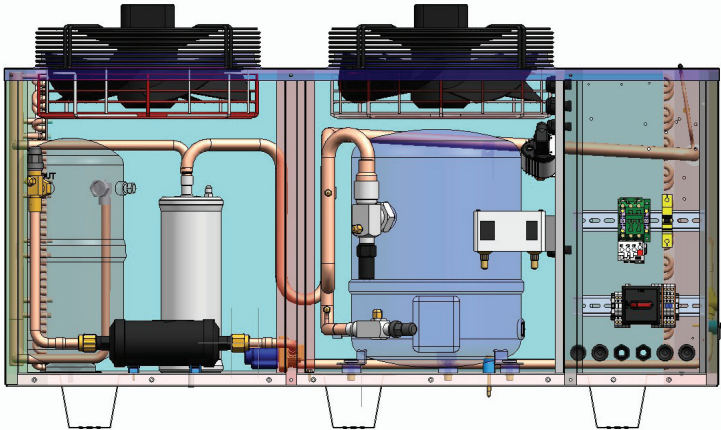


Important Notes:

- * It is particularly important for the units to allow sufficient unobstructed vertical air-discharge space above the unit to prevent warm air recirculation to the condenser.
- ** If the unit is to be located in close proximity to a wall or similar obstruction, the minimum distance from the coil face to the obstruction shall be complied with. The unit shall be mounted on a level horizontal plane surface.

Product Specification

- Supported through smart@ccess with product selection and heatload information
- Complementary Kirby® Project Tool assists with project estimations





13 23 50
kirbyhvacr.com.au

Exclusively distributed by

KIRBY
A **BEIJER REF** Company

The contents of this brochure are copyright protected and may not be reproduced in any form without the written consent of Kirby HVAC&R Pty Ltd (T/A Kirby). Recommendations and advice regarding the use of the products described in this publication are to be taken as a guide only and are given without liability on the part of the company or its employees. As Kirby continually improves its product range and processes, Kirby reserves the right to change product specifications without any prior notification. Please refer to the kirbyhvacr.com.au website for the latest version of this publication. The purchaser should independently determine the suitability of the product for the intended use and application and that the product complies with relevant standards. Kirby accepts no responsibility for loss or damage (direct or indirect and including consequential loss, loss of profits or opportunity and economic loss) however arising which results from any errors or omissions in the information contained in this publication or arising from the use or application of the information contained herein.

Kirby HVAC&R Pty Ltd continually strives to improve products and processes. We reserve the right to modify product features without notice. Information is correct at time of printing.

© Copyright 2020 Kirby HVAC&R Pty Ltd
Information is correct at time of printing.